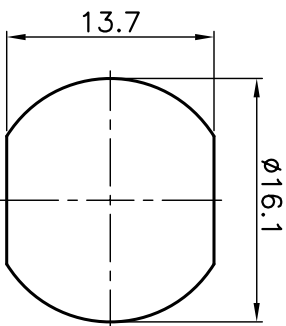
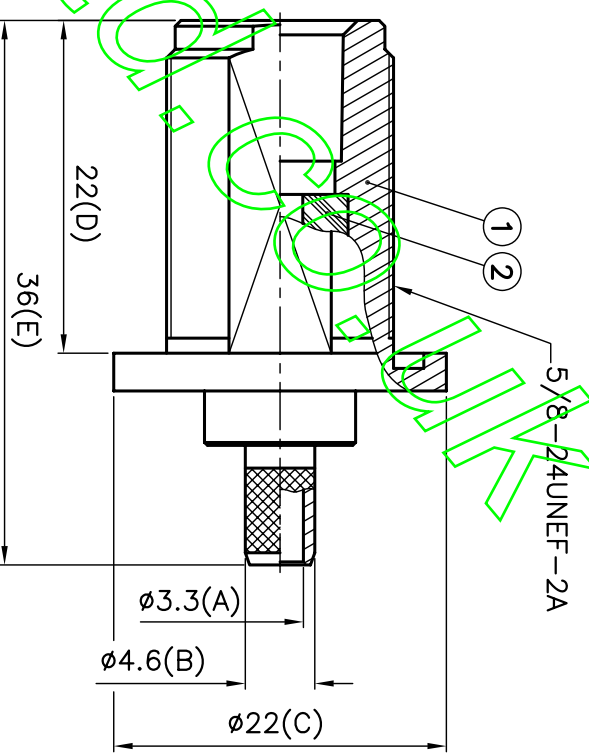
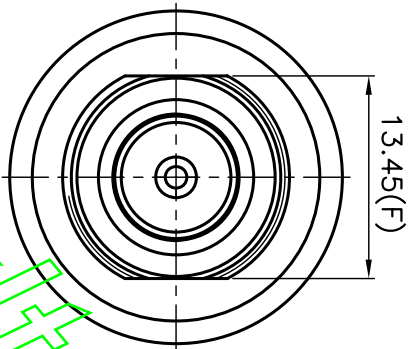
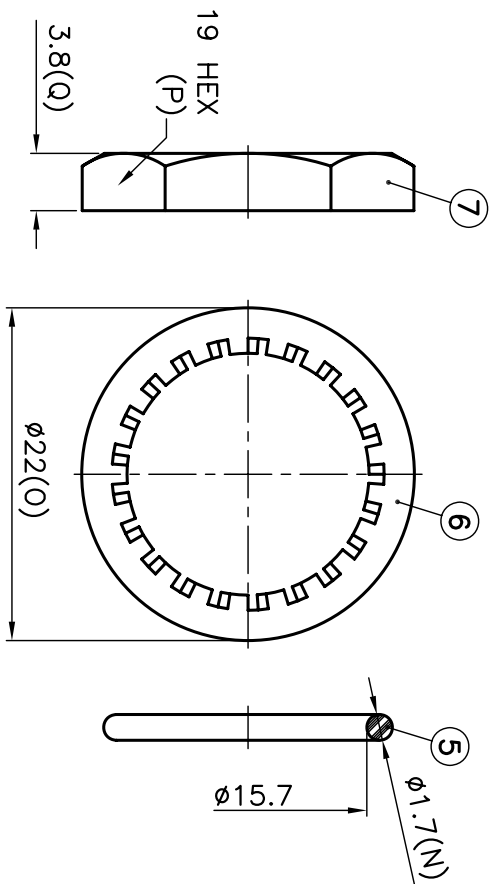
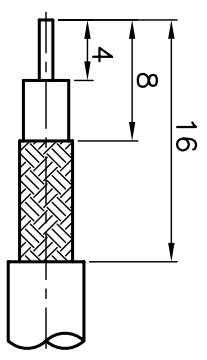


ISS	REVISIONS	DESCRIPTION \ DATE

RoHS COMPLIANT

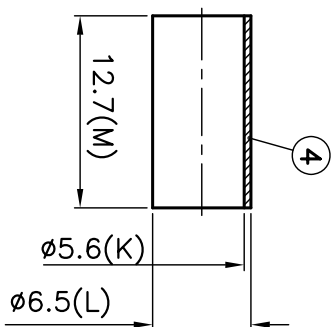
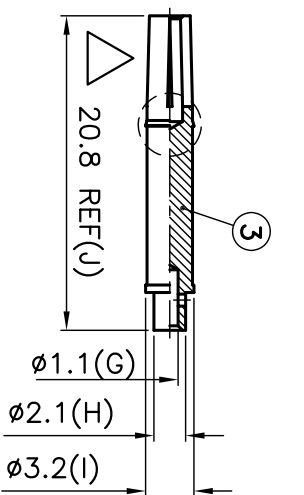
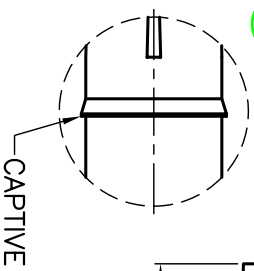


PANEL HOLE



RECOMMENDED
CABLE STRIPPING DIM'S

1. CRIMPED FERRULE
HEX CRIMP SIZE .213"
2. CRIMPED CONTACT PIN
HEX CRIMP SIZE .068"



FBSS

SPECIALISTS LTD

TITLE: N FEMALE BULKHEAD CRIMP
(FOR RG58/U)

PART NO: NBJCR58

DR. NO:

APRD:	UNLESS OTHERWISE SPECIFIED TOLERANCES
CHKD:	0.5-6 = ±0.2
DR:	>6-30 = ±0.4
DATE: 09/27/10"	>30-120 = ±0.6
SHEET: 1/2	>120-315 = ±1.1
	>315-1000 = ±1.6
	ANGLES = ±5°

030	DATE: 09/27/10"	UNIT: mm
030	SHEET: 1/2	SCALE: 2/1

NO.	DESCRIPTION	MATERIAL	FINISH
1	INSULATOR	TEFLON	WHITE
2	CONTACT PIN	BRASS	NICKEL
3	FERRULE	BRASS	NICKEL
4	GASKET	RUBBER	RED
5	WASHER	BRASS	NICKEL
6	NUT	BRASS	NICKEL
7	BODY	BRASS	NICKEL